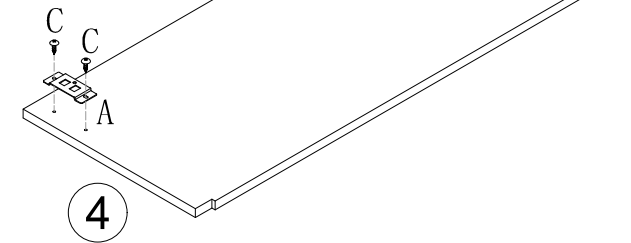
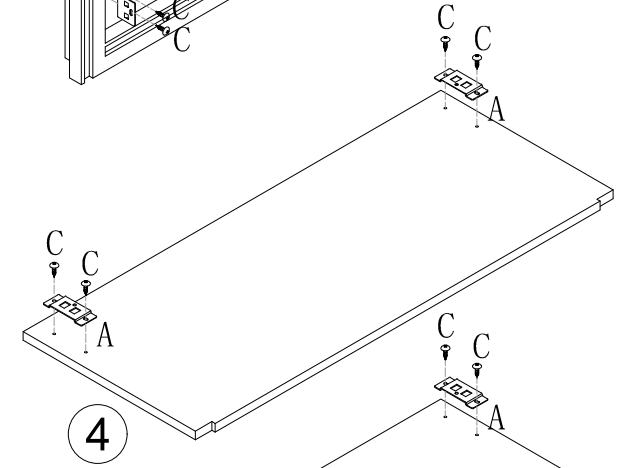
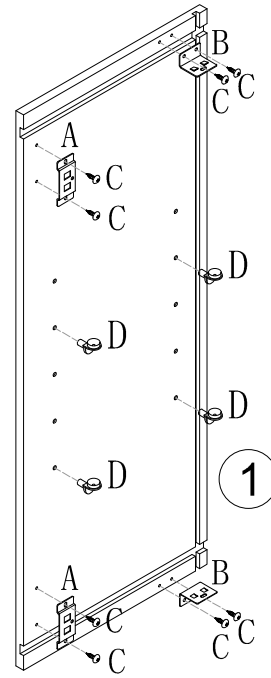
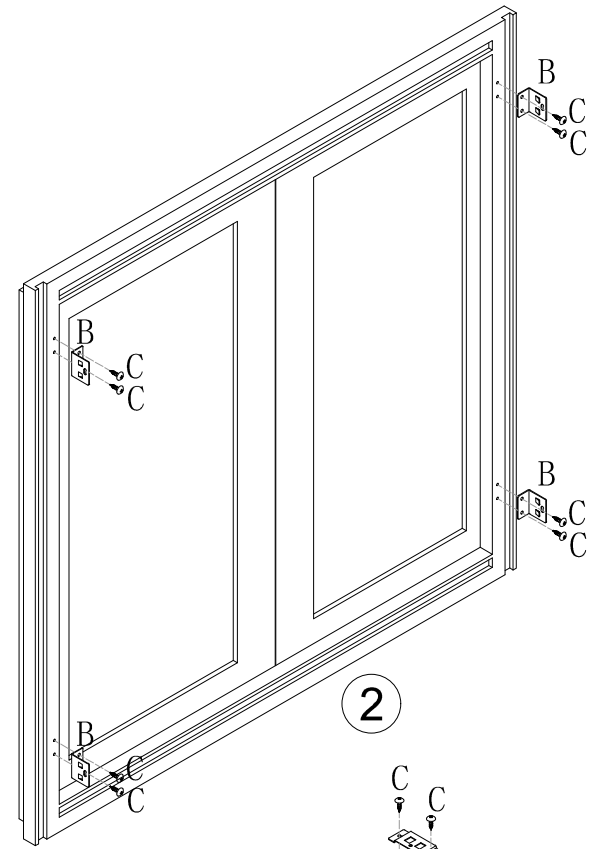
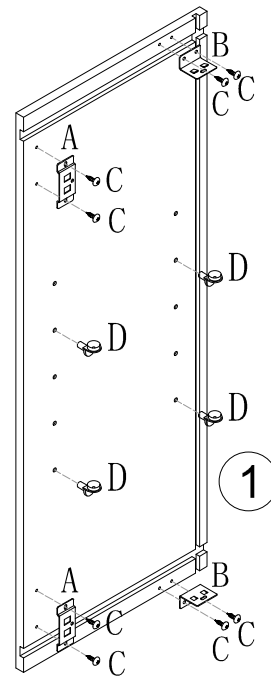
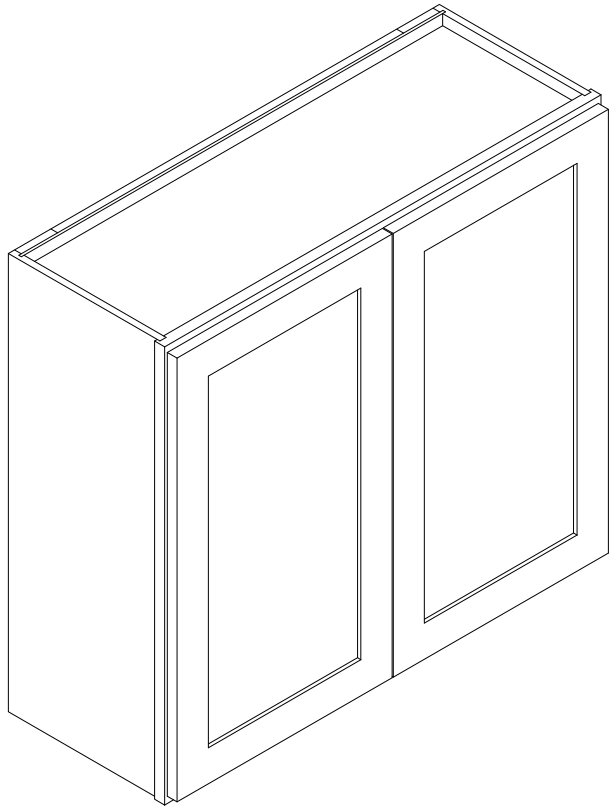


ASSEMBLY INSTRUCTIONS

W2430/W2730/W3030/W3330

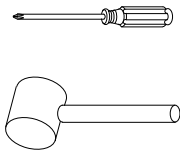
Step 1



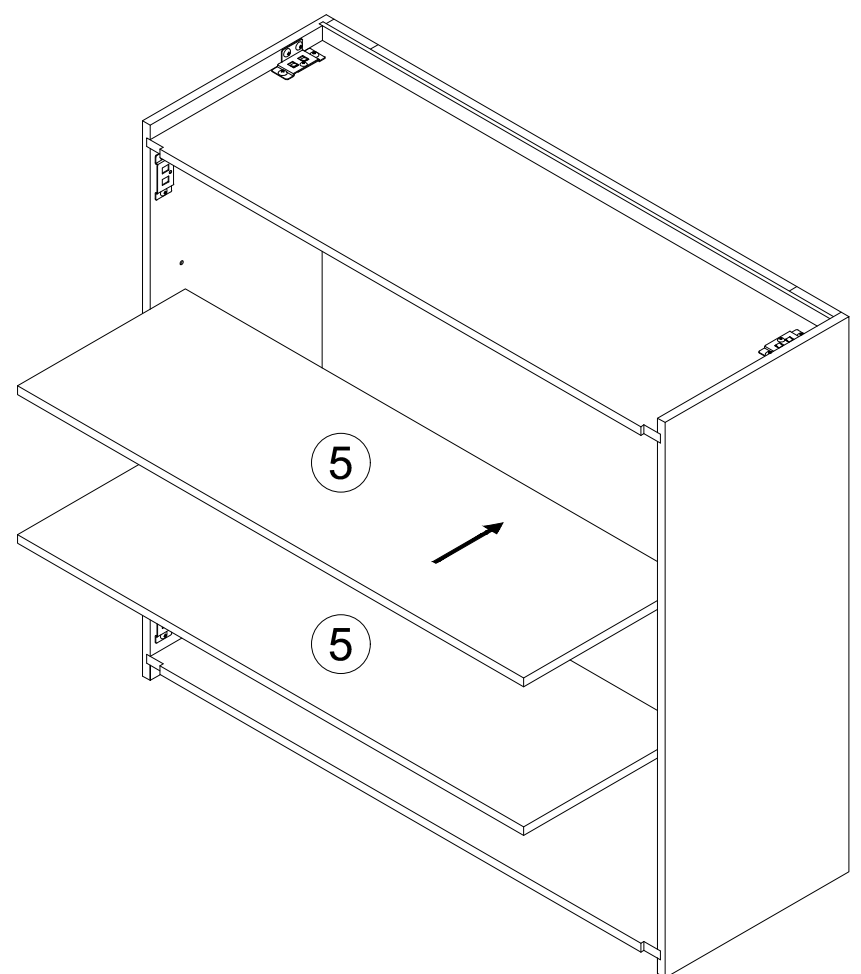
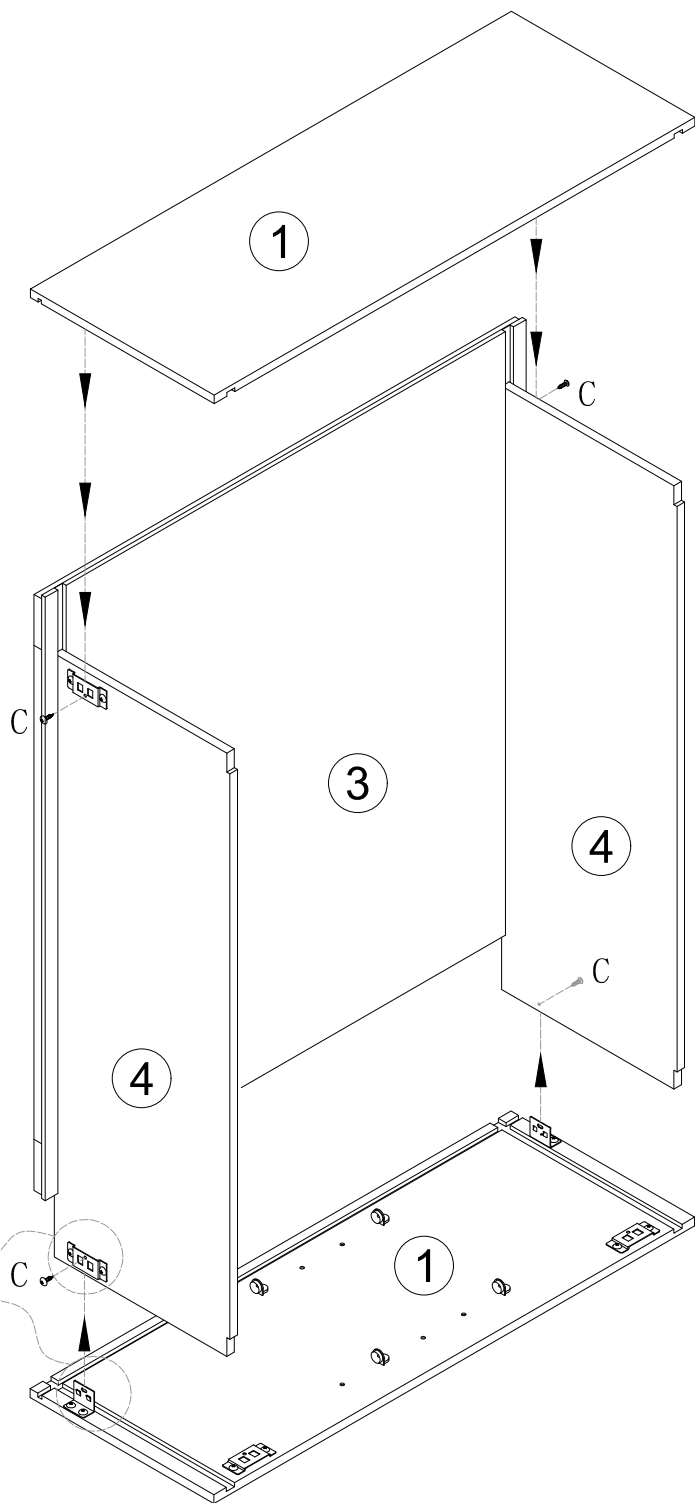
Parts list

NO.	Parts	QTY
A		8
B		8
C	 (M4*0.47")	40
D		8
E	 (T4*0.98")	2

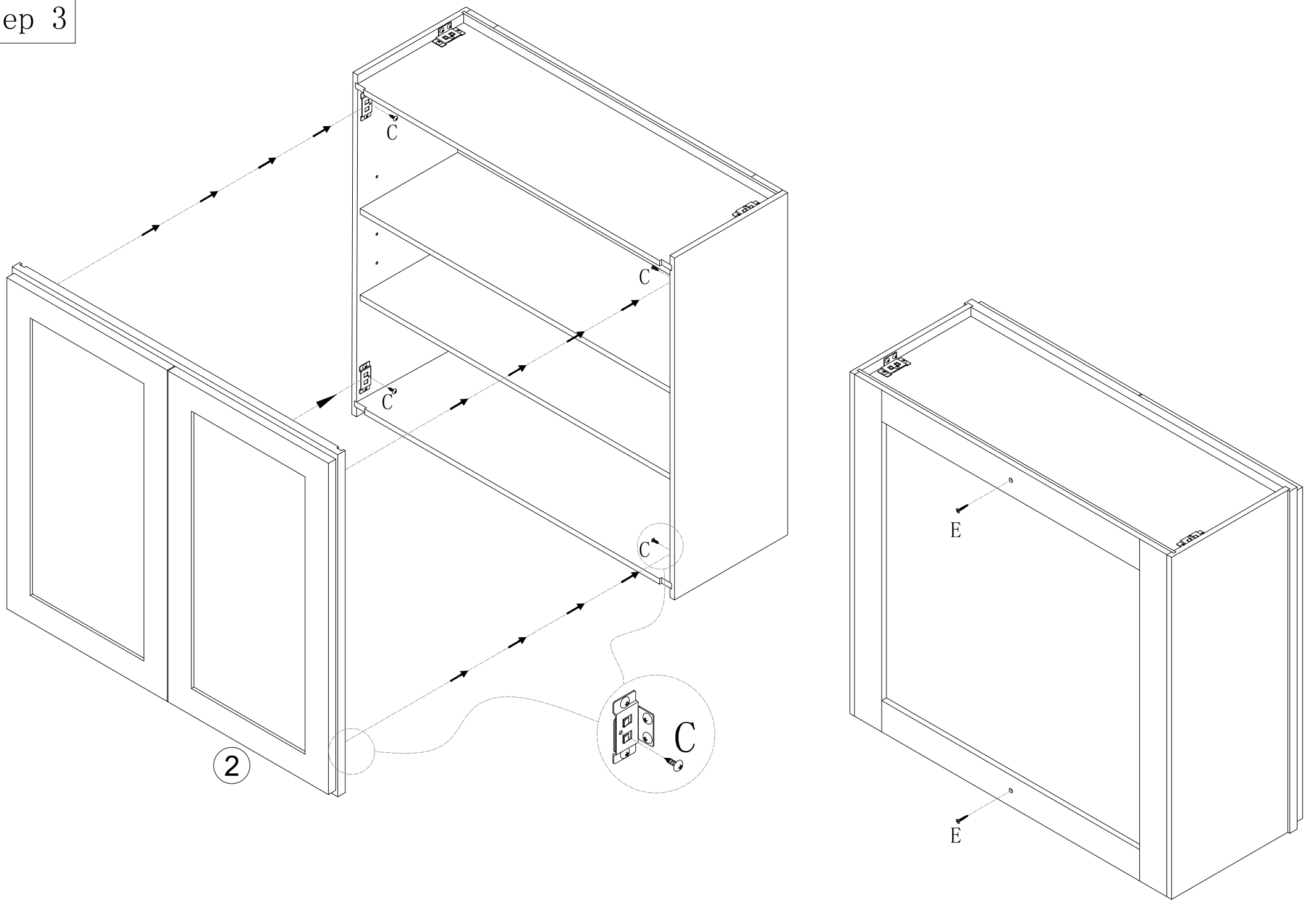
Tools (required but not provided)



Step 2



Step 3



Finished

